



Star Exhaust Systems

Table of Contents

Clamps	3 - 8
Adapters, Reducers, and Connectors	9 - 10
Stacks	11 - 15
Spouts	16
Straight Tubing	16
Cone Stacks	17
Dump Truck Stacks	18
Elbows	19 - 23
Specialty Elbows	24
Specialty Pipes	25
Bull Horn Pipes	26
Flexible Tubing	27
Double Ended Spouts	27
Coolant Tubes	
Ford & Sterling	28 - 29
Freightliner	30 - 35
International	35
Kenworth	36 - 43
Mack	43
Peterbilt	44 - 45
Volvo	45 - 46
Western Star	46 - 48
Warranty	49



Star Exhaust Systems

Mission Statement

Star Exhaust Systems is a “Customer Driven” company. We are dedicated to manufacturing product with the highest quality, service second to none, and we are constantly working to bring our valued customer the best price in the market.

Company Address

Star Exhaust Systems
1325 Shawson Drive
Mississauga, Ont. L4W 1C4

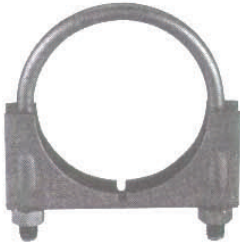
Customer Service

toll free: 1- (877) – 322 - 2600

tele: (905) 564 – 6795
fax: (905) 564 – 1620



▪ Round U-Bolt Clamp



▪ Unfinished mild steel

Size	Part Number
3"	CLR-300
3-1/2"	CLR-312
4"	CLR-400
4-1/2"	CLR-450
5"	CLR-500
5-1/2"	CLR-550
6"	CLR-600

▪ Flat Band Saddle Clamp ▪ Zinc and Chrome Plated



Size	Part Number	Size	Part Number Chrome Plated
3"	CLF-300	3"	CLF-300-C
3-1/2"	CLF-350	3-1/2"	CLF-350-C
4"		4"	CLF-400-C
4-1/2"		4-1/2"	CLF-450-C
5"		5"	CLF-500-C
5-1/2"	CLF-550	5-1/2"	CLF-550-C
6"	CLF-600	6"	CLF-600-C

▪ Guillotine Clamp ▪ Zinc and Chrome Plated



Size	Part Number	Size	Part Number Chrome Plated
3"	CLG-300	3"	CLG-300-C
3-1/2"	CLG-312	3-1/2"	CLG-350-C
4"	CLG-400	4"	CLG-400-C
4-1/2"	CLG-412	4-1/2"	CLG-450-C
5"	CLG-500	5"	CLG-500-C
5-1/2"	CLG-550	5-1/2"	CLG-550-C
6"	CLG-600	6"	CLG-600-C



■ AccuSeal™ Clamps



- **The simple, effective way to connect exhaust system components. Pipes, mufflers and converters.** *Unique seal and high clamp loads are provided without permanent distortion to exhaust members. Exhaust connections are serviceable and easy to disassemble.*
- The reaction block provides a full 360 degree equal distribution of stretching force, prohibiting pipe distortion while completing a seal around the joined exhaust components
- Clamp technology provides simple effective way to replace U-bolt and guillotine type clamps

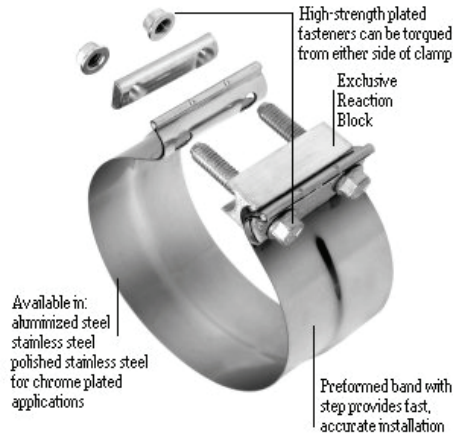
■ Packaged 10 per carton

Size	ALUMINIZED	STAINLESS
2"	SA200AF	
2-1/4"	SA225AF	
2-3/4"	SA275AF	
3"	SA300AF	
3-1/2"	SA350AF	
4"	SA400AF	SA400BF
5"	SA500AF	SA500BF
6"	SA600AF	SA600BF *



Star Exhaust Systems

- **TorcTite™ Clamps**
- **Pre-formed Lap Clamp**



- Available in standard industry sizes from 2" through 6" and metric equivalents.
- The exclusively developed fastening system, includes force bars, bolts, nuts and the patented reaction block, creates the power to stretch the clamp band tightly around exhaust members.
- The reaction block provides a full 360 degree equal distribution of stretching forces, prohibiting pipe distortion while completing a seal around the joined exhaust components.

Size	ALUMINIZED	STAINLESS
2"	SL200AB	SL200SB
2-1/2"	SL250AB	SL250SB
3"	SL300AB	SL300SB
3-1/2"	SL350AB	SL350SB
4"	SL400AB	SL400SB
4-1/2"	SL450AB	
5"	SL500AB	SL500SB
5-1/2"	SL550AB	
6"	SL600AB	SL600SB

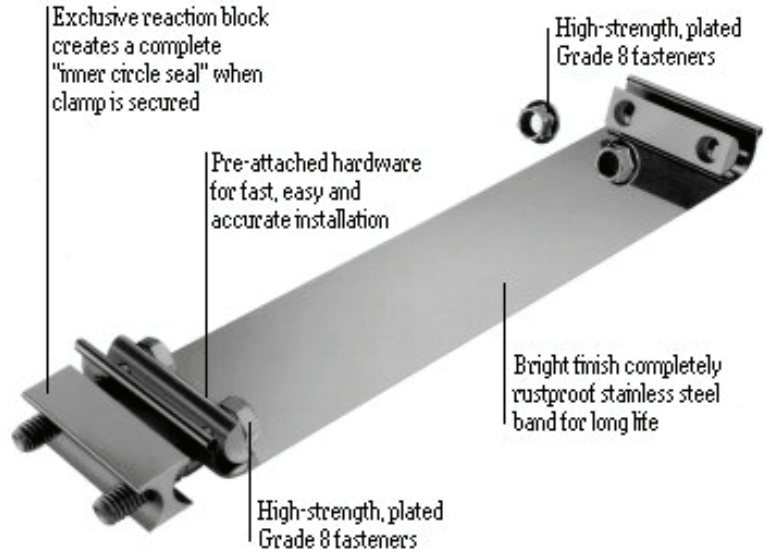


■ TorcTite™ Clamps

■ Butt Clamp

■ EasySeal™ Clamp

Butt Clamp



EasySeal Clamp

Butt Clamps

Size	ALUMINIZED	STAINLESS
2"	SB200AB	SB200SB
2-1/2"	SB250AB	SB250SB
3"	SB300AB	SB300SB
3-1/2"	SB350AB	SB350SB
4"	SB400AB	SB400SB
4-1/2"	SB450AB	
5"	SB500AB	SB500SB
5-1/2"	SB550AB	
6"	SB600AB	SB600SB

EasySeal™ Clamp

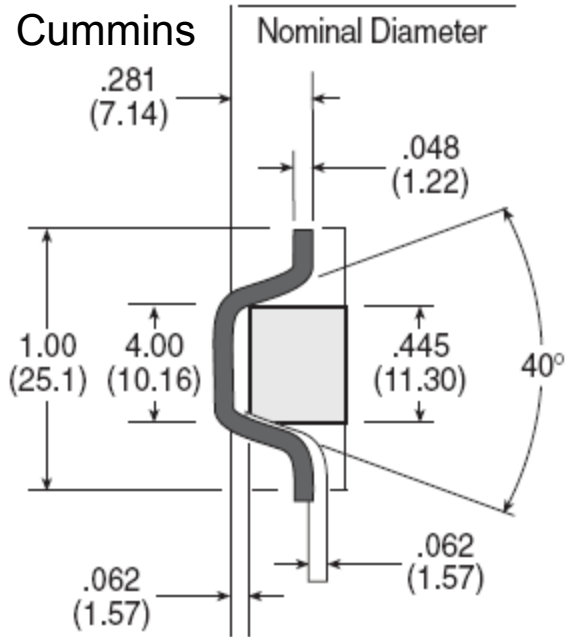
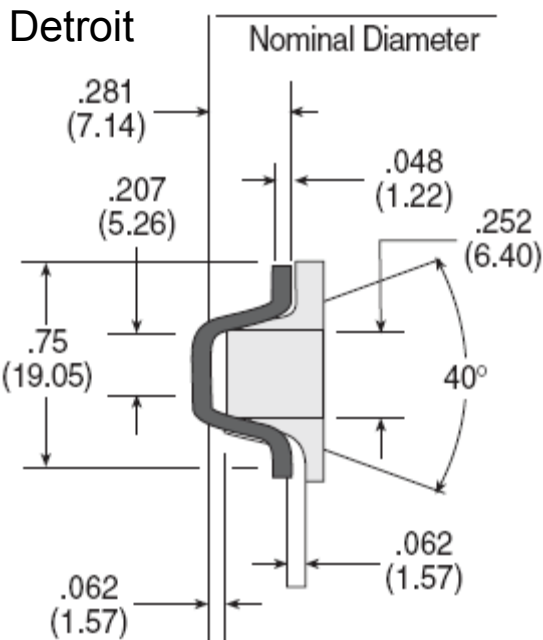
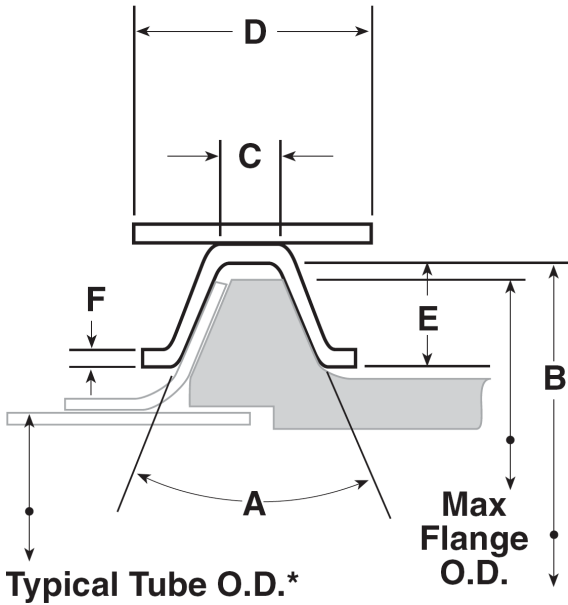
Size	STAINLESS
3"	ES300
3-1/2"	ES350
4"	ES400
5"	ES500



Star Exhaust Systems

■ V-Band Clamps

- The V-Band Clamp is designed to connect the manifold or turbocharger to the exhaust system.
- The following configurations accommodate the majority of engine applications and are available in a variety of sizes.



V-Band Clamps

Star Exhaust Systems



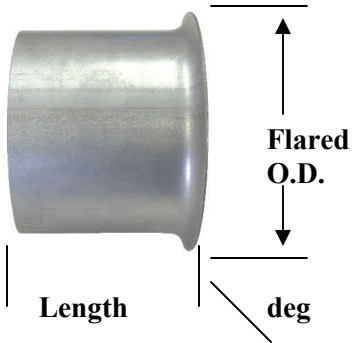
Tube O.D.**	Part Number	Application	A	B	C	D	E	F	Max. Flange O.D.
2-1/2"	SV603	DD 8.2T 8920206	40*	2.88	.207	.75	.28	.050	2.75
2-3/4"	SV571	CUMMINS B	40*	3.22	.262	.85	.14	.050	3.13
2-3/4"	SV528	FORD 8.2N EDHZ-5A231-B	40*	4.12	.212	.75	.28	.050	4.00
3"	SV530	FORD D9HT-51210-DA	40*	3.87	.425	.88	.31	.075	3.75
3"	SV505	DD 6V71	40*	3.82	.207	.88	.28	.080	3.70
3"	SV500	CUMMINS V903 FORD 370 & 429 E5HZ-5A231-B	40*	3.88	.400	.88	.28	.050	3.76
3.13"	SV511	OE MUFFLER	40*	3.96	.207	.88	.28	.080	3.84
3-1/2"	SV573	CUMMINS C	40*	4.12	.262	.67	.14	.050	4.03
3-1/2"	SV531	CAT 3208T FORD 6.6 & 7.8 E2HT5A212AA	40*	4.19	.400	.88	.28	.050	4.07
3-1/2"	SV512	IH DT466 & CONNECTOR ENDS	40*	4.31	.207	.88	.28	.080	4.19
3-1/2"	SV506	DD 8V71	40*	4.50	.207	.88	.28	.080	4.38
3-1/2"	SV501	CUMMINS VT555	40*	4.25	.400	.88	.28	.050	4.16
4"	SV508	DD 8.2 N	40*	4.06	.239	.88	.29	.075	3.94
4"	SV520	CAT3126T CAT 3176T CUMMINS L10, M11	40*	4.75	.400	1.00	.28	.050	4.63
4"	SV509	DD 8.2T, GM 2295978	40*	4.75	.158	.88	.31	.075	4.63
4"	SV532	MACK 11ME29	40*	4.94	.181	.75	.28	.062	4.82
4"	SV502	SWITZER 4LDE, 4LE, 4LH, 4LS	40*	4.50	.262	.75	.14	.050	4.41
4"	SV513	CONNECTOR ENDS	40*	4.81	.207	.88	.28	.080	4.69
4"	SV507	DD 6-71	40*	4.91	.293	1.13	.30	.090	4.79
4"	SV533	MACK 48RU2341	40*	4.61	.156	.75	.22	.050	4.49
4.88"	SV510	DD 8V71T, 6V92T, 8V92T	40*	5.25	.262	.75	.14	.050	5.16
5"	SV503	CUMMINS T50 , M11	40*	5.88	.400	.88	.28	.050	5.79
5"	SV514	CONNECTOR ENDS	40*	5.81	.207	.88	.28	.080	5.69
5"	SV530	DD 8V71	40*	5.87	.365	.88	.30	.050	5.75
5-1/4"	SV532	DD 8V71	40*	5.92	.280	.88	.30	.090	5.83
	SV504	T50 HOUSING	40*	6.76	1.67	1.88	.281	.060	6.64



Star Exhaust Systems

Adapters

Flared Connectors



Size	App.	Flare O.D.	Length	deg	Star #
3"		3.56"	4.25"	22*	S3402
3"		3.56"	5.00"	45*	S3403
3-1/2"	Cat 3208 T	4.06"	4.50"	22*	S3702
3-1/2"	D.D.	4.00"	5.00"	45*	S3703
4"	D.D. 8.2 T	4.56"	4.25"	22*	S4402
4"	Cummins 250	4.50"	5.00"	45*	S4403
5"		5.56"	5.25"	22*	S5502
5"	Cummins	5.50"	5.00"	45*	S5503

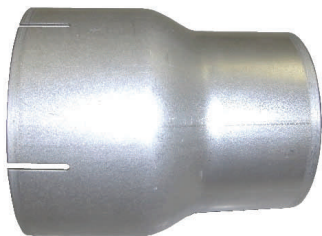
Reducers

O.D. - O.D.



Size	Length	Star #
3" - 2-1/2"	6"	AD11030
3" - 2-3/4"	6"	AD11035
3-1/2" - 3"	6"	AD11040
4" - 3"	6"	AD11045
4" - 3-1/2"	6"	AD11050
5" - 4"	6"	AD11055
6" - 5"	6"	AD11060

I.D. - O.D.



Size	Length	Star #
3" - 2-1/2"	6"	AD11210
3" - 2-3/4"	6"	AD11215
3-1/2" - 3"	6"	AD11220
4" - 3"	6"	AD11225
4" - 3-1/2"	6"	AD11230
5" - 4"	6"	AD11235
6" - 5"	6"	AD11240



Size	Length	Star #
2-1/2" - 2"	6"	AD11115
3" - 2-1/2"	6"	AD11130
3-1/2" - 3"	6"	AD11140
4" - 3"	6"	AD11145
4" - 3-1/2"	6"	AD11150
5" - 3-1/2"	6"	AD11153
5" - 4"	6"	AD11155
6" - 5"	6"	AD11240

I.D. - I.D.

■ **Reducers**



Size	Length	Star #
3" - 2-1/2"	6"	AD11325
3" - 2-3/4"	6"	AD11330
3-1/2" - 3"	6"	AD11335
4" - 3"	6"	AD11340
4" - 3-1/2"	6"	AD11345
5" - 4"	6"	AD11350
6" - 5"	6"	AD11355

O.D. - I.D.



■ **Straight Connector**

Size	Length	Star #
3"	6"	S3401
3-1/2"	6"	S3701
4"	6"	S4401
5"	6"	S5501
6"	6"	S6601

I.D. - I.D.



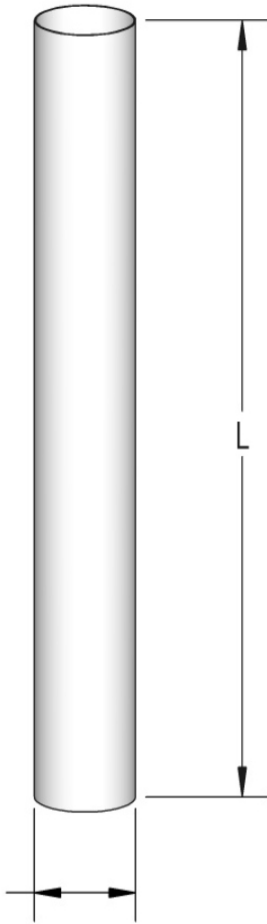
Size	Length	Star #
3"	6"	S3306
3-1/2"	6"	S3406
4"	6"	S4406
5"	6"	S5506
6"	6"	S6606

O.D. - O.D.





■ O.D. Straight Stack



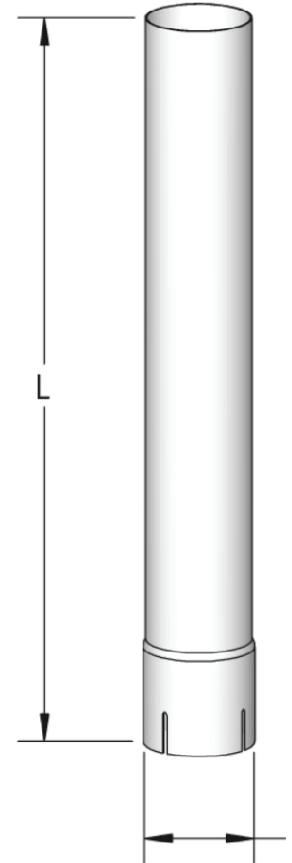
Size	LENGTH	Aluminized	Chrome
2"	24"	S2105	S2105C
	36"	S2110	S2110C
	48"	S2115	S2115C
	60"	S2120	S2120C
	72"	S2125	S2125C
2-1/2"	24"	S2524	S2524C
	36"	S2536	S2536C
	48"	S2548	S2548C
	60"	S2560	S2560C
	72"	S2572	S2572C
3"	24"	S3105	S3105C
	36"	S3110	S3110C
	48"	S3115	S3115C
	60"	S3120	S3120C
	72"	S3125	S3125C
3-1/2"	24"	S3606	S3606C
	36"	S3611	S3611C
	48"	S3616	S3616C
	60"	S3621	S3621C
	72"	S4224	S4224C
4"	24"	S4305	S4305C
	36"	S4310	S4310C
	48"	S4315	S4315C
	60"	S4320	S4320C
	72"	S4224	S4224C
5"	24"	S5305	S5305C
	36"	S5310	S5310C
	48"	S5315	S5315C
	60"	S5320	S5320C
	72"	S5325	S5325C
6"	24"	S6305	S6305C
	36"	S6310	S6310C
	48"	S6315	S6315C
	60"	S6320	S6320C
	72"	S6325	S6325C



Size	LENGTH	Aluminized	Chrome
2"	24"	S2205	S2205C
	36"	S2210	S2210C
	48"	S2215	S2215C
	60"	S2216	S2220C
	72"	S2225	S2225C
2-1/2"	24"	S2624	S2624C
	36"	S2636	S2636C
	48"	S2648	S2648C
	60"	S2660	S2660C
	72"	S2672	S2672C
3"	18"	S3205	S3205C
	24"	S3210	S3210C
	36"	S3215	S3215C
	48"	S3220	S3220C
	60"	S3225	S3225C
	72"	S3230	S3230C
3-1/2"	18"	S3600	S3600C
	24"	S3605	S3605C
	36"	S3610	S3610C
	48"	S3615	S3615C
	60"	S3620	S3620C
	72"	S4200	S4200C
4"	18"	S4205	S4205C
	24"	S4210	S4210C
	36"	S4215	S4215C
	48"	S4220	S4220C
	72"	S4224	S4224C
5"	18"	S5200	S5200C
	24"	S5205	S5205C
	36"	S5210	S5210C
	48"	S5215	S5215C
	60"	S5220	S5220C
	72"	S5225	S5225C
6"	18"	S6200	S6200C
	24"	S6205	S6205C
	36"	S6210	S6210C
	48"	S6215	S6215C
	60"	S6220	S6220C
72"	S6225	S6225C	

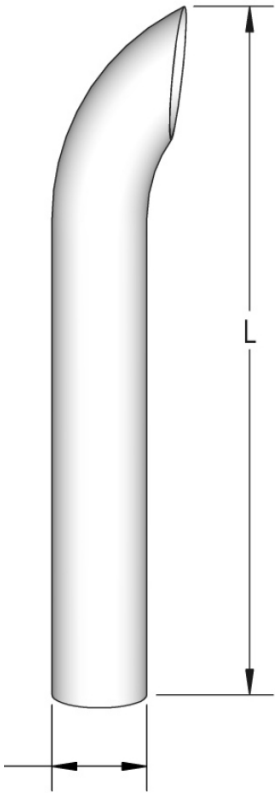
▪ Straight Stack

▪ I.D. Slotted





■ O.D. Curved Stack

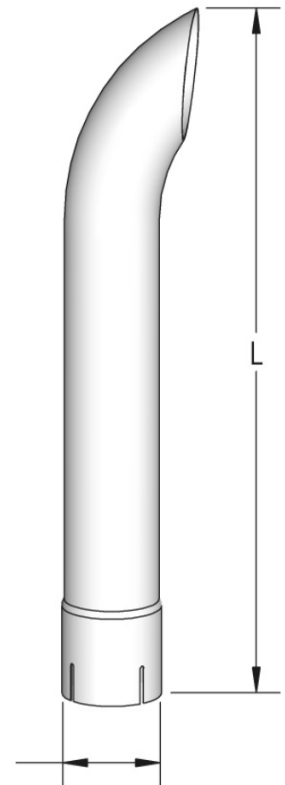


Size	LENGTH	Aluminized	Chrome
2"	24"	S2261	S2261C
	36"	S2266	S2266C
	48"	S2271	S2271C
	60"	S2276	S2276C
	72"	S2281	S2281C
2-1/2"	24"	S2861	S2861C
	36"	S2866	S2866C
	48"	S2871	S2871C
	60"	S2876	S2876C
	72"	S2881	S2881C
3"	18"	S3251	S3251C
	24"	S3256	S3256C
	36"	S3261	S3261C
	48"	S3266	S3266C
	60"	S3271	S3271C
3-1/2"	72"	S3276	S3276C
	18"	S3624	S3624C
	24"	S3626	S3626C
	36"	S3631	S3631C
	48"	S3636	S3636C
4"	60"	S3645	S3645C
	72"	S3672	S3672C
	18"	S4246	S4246C
	24"	S4251	S4251C
	36"	S4256	S4256C
5"	48"	S4261	S4261C
	60"	S4266	S4266C
	72"	S4271	S4271C
	18"	S5251	S5251C
	24"	S5256	S5256C
6"	36"	S5261	S5261C
	48"	S5266	S5266C
	60"	S5271	S5271C
	72"	S5276	S5276C
	18"	S6256	S6256C
6"	24"	S6261	S6261C
	36"	S6266	S6266C
	48"	S6271	S6271C
	60"	S6276	S6276C
	72"	S6281	S6281C



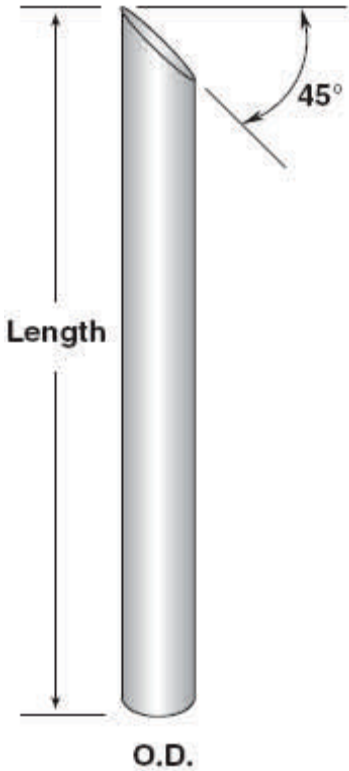
Size	LENGTH	Aluminized	Chrome
2"	24"	S2260	S2260C
	36"	S2265	S2265C
	48"	S2270	S2270C
	60"	S2275	S2275C
	72"	S2280	S2280C
2-1/2"	24"	S2860	S2860C
	36"	S2865	S2865C
	48"	S2870	S2870C
	60"	S2875	S2875C
	72"	S2880	S2880C
3"	18"	S3250	S3250C
	24"	S3255	S3255C
	36"	S3260	S3260C
	48"	S3265	S3265C
	60"	S3270	S3270C
3-1/2"	72"	S3275	S3275C
	18"	S3624 ID	S3624 IDC
	24"	S3625	S3625C
	36"	S3630	S3630C
	48"	S3635	S3635C
4"	60"	S3640	S3640C
	72"	S3675	S3675C
	18"	S4245	S4245C
	24"	S4250	S4250C
	36"	S4255	S4255C
5"	48"	S4260	S4260C
	60"	S4265	S4265C
	72"	S4270	S4270C
	18"	S5250	S5250C
	24"	S5255	S5255C
6"	36"	S5260	S5260C
	48"	S5265	S5265C
	60"	S5270	S5270C
	72"	S5275	S5275C
	6"	18"	S6250
24"		S6255	S6255C
36"		S6260	S6260C
48"		S6265	S6265C
60"		S6270	S6270C
72"	S6275	S6275C	

■ **Curved Stack**
 ■ **I.D. Slotted**





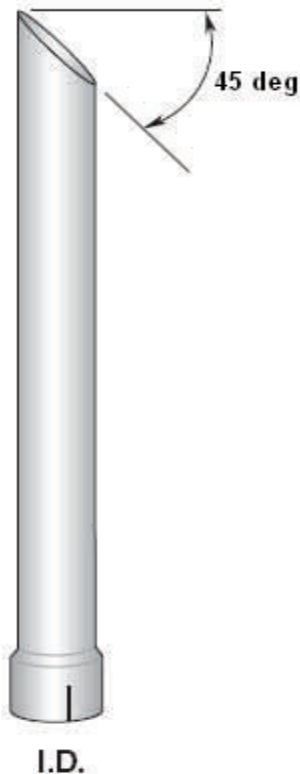
Star Exhaust Systems



■ O.D. Mitered Stack

Size	Length	Aluminized	Chrome
5"	18"	S5380	S5380C
	24"	S5383	S5383C
	36"	S5385	S5385C
	48"	S5390	S5390C
	60"	S5395	S5395C
	72"	S5400	S5400C
	84"	S5405	S5405C
	96"	S5410	S5410C

Available in all sizes including 6"



■ I.D. Mitered Stack

Size	Length	Aluminized	Chrome
5"	18"	S5880	S5880C
	24"	S5883	S5883C
	36"	S5885	S5885C
	48"	S5890	S5890C
	60"	S5895	S5895C
	72"	S5400	S5400C
	84"	S5950	S5950C
	96"	S5955	S5955C

Available in all sizes including 6"

Size	Aluminized
4" x 105"	S9587
4" x 102-1/2"	S9577
4" x 141-1/2"	S9585



O.D. and I.D. Cone Stacks



S9401



S9402



S9417



S9426



S9558



S9542

I.D.

S9542

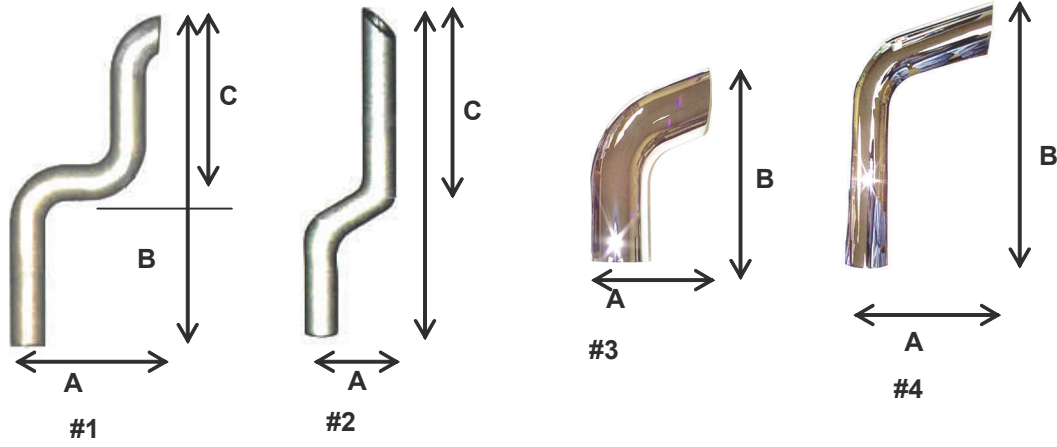
17

Size	Description	Star #
5" O.D.	Stone Slinger	S9401
4" I.D.	IHC	S9402
4" O.D.	IHC	S9417
5" O.D.	DUMP TRUCK	S9426
4" O.D.	IHC	S9558
4" I.D.	Stone Slinger	S9542

Star Exhaust Systems



Dump Truck Stacks



Style #	O.D. Size	I.D. Size	A	B	C	Star
1	4"		15"	40"	20"	S4258
2	3-1/2"		15"	52"	30"	S3638
2	4"		15"	52"	30"	S4263
2	5"		15"	52"	30"	S5268
2		4"	15"	52"	30"	S4264
2		5"	15"	52"	30"	S5269
3	5"		11"	15"		S5415C
3		5"	11"	15"		S5502C
4	5"		15"	26"		S5420C
4		5"	15"	26"		S5203C

* chrome plated

S-Series		
I.D. Size	Length	Star
4"	60"	S4268
5"	60"	S5272





Star Exhaust Systems

■ 15deg and 30 deg Elbows

Size	Deg	Leg Length	Star #
3"	15 deg	1-3/4" OD-OD	S3060
	30 deg	4" ID- OD	S3061
	30 deg	4" OD- OD	S3062
3-1/2"	15 deg	1-3/4" OD-OD	S3560
	30 deg	4" ID- OD	S3561
	30 deg	4" OD- OD	S3562
4"	15 deg	2" OD-OD	S4170
	30 deg	4" ID- OD	S4032
	30 deg	4" OD- OD	S4033
5"	30 deg	4" ID- OD	S5042
	30 deg	4" OD- OD	S5043



Also available in 6"

■ 70 deg Elbows

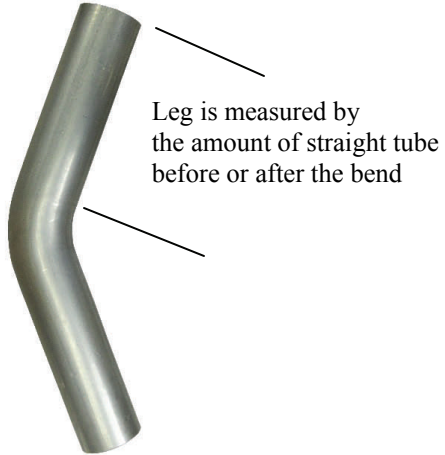
Size	Leg Length	O.D.- O.D.	I.D.- O.D.
3"	12" X 12"	S3070	S3071
	15" X 15"	S3075	S3076
3-1/2"	12" X 12"	S3531	S3530
4"	12" X 12"	S4036	S4035
	15" X 15"	S4037	S4037-ID
5"	11" X 7.5"	S5047	S5045
	12" X 12"	S5048	S5046
	15" X 15"	S5049	S5049-ID



Also available in 6"



■ 45 deg Elbows



■ O.D.-O.D.

Size	LEG LENGTHS	O.D.-O.D.	I.D.-O.D.
2"	6" X 6"	S2040	S2045
2-1/2"	6" X 6"	S2540	S2545
3"	7" X 7"	S3025	S3030
3-1/2"	10" X 10"	S3532	S3535
	12" X 12"	S3540	S3545
4"	8" X 8"	S4045	S4040
	12" X 12"	S4055	S4050
	18" x 18"	S4058	S4059
	9.3" x 9.3"		S4046
4" I.D.-I.D.	12" x 12" S4051		
4" I.D.-I.D.	18" X 18" S4060		
5"	8" x 8"	S5055	S5050
	10" X 10"	S5056	S5057
	12" X 12"	S5059	S5058
	15" X 15"	S5065	S5060
6"	12" X 12"	S6001	S6001-ID
	15" X 15"	S6002-OD	S6002



■ I.D.-O.D.



Star Exhaust Systems

■ Loose Radius 90 deg Elbows

■ O.D.– O.D.



■ I.D.– O.D.



Bulk Pricing available 25 pcs. min.

Size	Bulk Part Number
3"	LR390
3-1/2"	LR3590
4"	LR490-12
4"	LR490-18
5"	LR590-12
5"	LR590-15
6"	LR690-18

Size	LEG LENGTHS	O.D.–O.D.	I.D.–O.D.
2"	9"	LR290	LR290-ID
2-1/2"	10"	S2504	S2505
	12"	S2220	S2221
3"	6"	S3003	S3003-ID
	8"	S3004	S3005
	10"	S3015	S3015-ID
	14"	S3020	S3010
3-1/2"	8"	S3504	S3504-ID
	12"	S3520	S3519
	14"	S3508	S3508-ID
	16"	S3525	S3510
	16" X 20"	S3526	S3526-ID
4"	10"	S4010	S4010-ID
	12"	S4012	S4013
	12" ID-ID S4011		
	15"	S4018	S40218-ID
	18"	S4025	S4015
	18" ID-ID S4014		
5"	8-1/2"	S5005-OD	S5005
	10"	S5025	S5010
	12"	S5012-OD	S5012
	15"	S5030	S5015
	18"	S5021	S5020
	25"	S5040	S5040-ID
6"	15"	S6008	S6009
	18"	S6011	S6010



■ Tight Radius 90 deg Elbows

Size	LEG LENGTHS	O.D.–O.D.	I.D.–O.D.
2"	9"	S2010	S2005
2-1/2"	10"	S2505-OD	S2505
3"	6"	S3003	S3003-ID
	8"	S3004	S3005
	10"	S3015	S3015-ID
3-1/2"	14"	S3020	S3010
	4"	S3730	S3730-ID
	8"	S3735	S3735-ID
4"	12"	S3710	S3710-ID
	6"	S4130-OD	S4130
	8"	S4100	S4140
	10"	S4105	S4145
5"	12"	S4110	S4150
	15"	S4115	S4155
	18"	S4116	S4156
	20"	S4120	S4160
	6"	S5095	S5095-ID
	8"	S5100	S5140
	10"	S5105	S5145
6"	12"	S5110	S5150
	15"	S5115	S5155
	18"	S5117	S5118
	20"	S5120	S5160
	18"	S6008	S6009
		S6011	S6010

■ O.D.– O.D.



■ I.D.– O.D.



Bulk Part Numbers on next page



Star Exhaust Systems

▪ O.D.– O.D. Bulk 90 deg Elbows



Leg lengths measured to center of bend

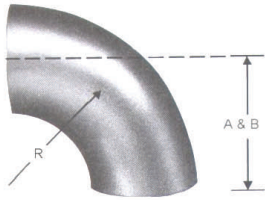
Bulk Pricing available

Size	Leg Length	Deg. Of Bend	Bulk Part Number
2-1/2"	8"	90*	TR2.508
	13"	90*	TR2.590
3"	9"	90*	TR390
	12"	90*	TR390-12
	13"	90*	TR390-13
4"	12"	90*	TR490
	12"	90*	TR490-ID
	15"	90*	TR490-15
	16-1/2"	90*	TR490-16.5
	18"	90*	TR490-18
	20"	90*	TR490-20
5"	12"	95*	TR495
	12"	99*	TR499
	12"	110*	S4111
	12"	120*	S4112
	18"	120*	S4119
	12"	90*	TR590
	14"	90*	TR590-ID
	14"	90*	TR590-14
	18"	90*	TR590-18
	12"	105*	TR5105
		110*	TR5100-ID
		110*	TR5100-OD

Also available in 6"



- Specialty Elbows



S4130-OD
S4130 ID-OD Version

S9409C
Peterbilt Chrome
Inlet Pipe



S4120 4" 120* bend
Used on FL Freightliner
Exit from muffler to stack

S9408C
Western Star Chrome
Inlet Pipe



TR5100 ID Version
TR5100-OD

S9412
Mack Inlet Pipe



Freightliner Inlet Pipes



S9415 Freightliner
Inlet Pipe Driver side



S9416 Freightliner
Inlet Pipe Passenger
side

Kenworth Inlet Pipes

S9418 Kenworth
Inlet Pipe Passenger side



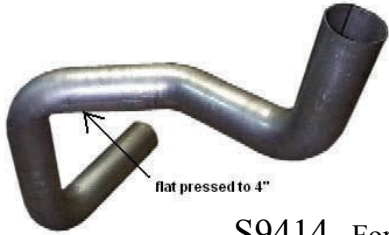
S9419 Kenworth
Inlet Pipe Driver side





Star Exhaust Systems

Specialty Pipes



flat pressed to 4"

S9414 Ford Over Frame Inlet Pipe



S9421 Volvo Intermediate Pipe



S9411 Freightliner Intermediate Pipe



S9435 Freightliner Classic Y-Pipe



S9425 Freightliner Intermediate Pipe



S9428 Turbo Pipe



S9436 Freightliner FLD Y-Pipe



S9437

S9437 and S9438
Peterbilt Day Cab
Chrome Kit
Special Dealer Part
call for details



S9438



■ Specialty Pipes



S9422



S9439 Volvo intake tube



S9441 Western Star
23529-35-42
Constellation



S9423 Peterbilt
Y Pipe



S9427 Kenworth
Y Pipe



S9432



S9641-Kit IHC
Above Frame to 4" Muffler Inlets



S9641-Kit IHC
Below Frame to 4" Muffler Inlets



▪ Bull Horns

For installers



Description	P/N	Description	P/N
3" BULL HORN 10 deg	BH310	4" BULL HORN 10 deg	BH410
3" BULL HORN 20 deg	BH320	4" BULL HORN 20 deg	BH420
3" BULL HORN 25 deg	BH325	4" BULL HORN 25 deg	BH425
3" BULL HORN 30 deg	BH330	4" BULL HORN 30 deg	BH430
3" BULL HORN 35 deg	BH335	4" BULL HORN 35 deg	BH435
3" BULL HORN 40 deg	BH340	4" BULL HORN 40 deg	BH440
3" BULL HORN 45 deg	BH345	4" BULL HORN 45 deg	BH445
3" BULL HORN 50 deg	BH350	4" BULL HORN 50 deg	BH450
3" BULL HORN 55 deg	BH355	4" BULL HORN 55 deg	BH455
3" BULL HORN 60 deg	BH360	4" BULL HORN 60 deg	BH460
3" BULL HORN 65 deg	BH365	4" BULL HORN 65 deg	BH465
3" BULL HORN 70 deg	BH370	4" BULL HORN 70 deg	BH470
3" BULL HORN 75 deg	BH375	4" BULL HORN 75 deg	BH475
3" BULL HORN 80 deg	BH380	4" BULL HORN 80 deg	BH480
3-1/2" BULL HORN 10 deg	BH3.510	5" BULL HORN 10 deg	BH510
3-1/2" BULL HORN 20 deg	BH3.520	5" BULL HORN 20 deg	BH520
3-1/2" BULL HORN 25 deg	BH3.525	5" BULL HORN 25 deg	BH525
3-1/2" BULL HORN 30 deg	BH3.530	5" BULL HORN 30 deg	BH530
3-1/2" BULL HORN 35 deg	BH3.535	5" BULL HORN 35 deg	BH535
3-1/2" BULL HORN 40 deg	BH3.540	5" BULL HORN 40 deg	BH540
3-1/2" BULL HORN 45 deg	BH3.545	5" BULL HORN 45 deg	BH545
3-1/2" BULL HORN 50 deg	BH3.550	5" BULL HORN 50 deg	BH550
3-1/2" BULL HORN 55 deg	BH3.555	5" BULL HORN 55 deg	BH555
3-1/2" BULL HORN 60 deg	BH3.560	5" BULL HORN 60 deg	BH560
3-1/2" BULL HORN 65 deg	BH3.565	5" BULL HORN 65 deg	BH565
3-1/2" BULL HORN 70 deg	BH3.570	5" BULL HORN 70 deg	BH570
3-1/2" BULL HORN 75 deg	BH3.575	5" BULL HORN 75 deg	BH575
3-1/2" BULL HORN 80 deg	BH3.580	5" BULL HORN 80 deg	BH580

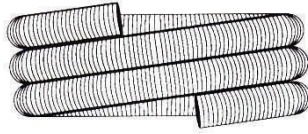
6" available



Star Exhaust Systems

Flexible Tube

For installers



Size	Length	Galvanized	Stainless
3"	12"	FG30012	FS30012
3"	18"	FG30018	FS30018
3"	24"	FG30024	FS30024
3"	36"	FG30036	FS30036
3"	10 foot	FG300-10	FS300-10
3"	25 foot	FG300-25	FS300-25
3-1/2"	12"	FG35012	FS35012
3-1/2"	18"	FG35018	FS35018
3-1/2"	24"	FG35024	FS35024
3-1/2"	36"	FG35036	FS35036
3-1/2"	10 foot	FG350-10	FS350-10
3-1/2"	25 foot	FG350-25	FS350-25
4"	12"	FG40012	FS40012
4"	18"	FG40018	FS40018
4"	24"	FG40024	FS40024
4"	36"	FG40036	FS40036
4"	10 foot	FG400-10	FS400-10
4"	25 foot	FG400-25	FS400-25
5"	12"	FG50012	FS50012
5"	18"	FG50018	FS50018
5"	24"	FG50024	FS50024
5"	36"	FG50036	FS50036
5"	10 foot	FG500-10	FS500-10
5"	25 foot	FG500-25	FS500-25

Double Ended Spouts



All Double Ended Spouts are 48" long
Cut where you want to.

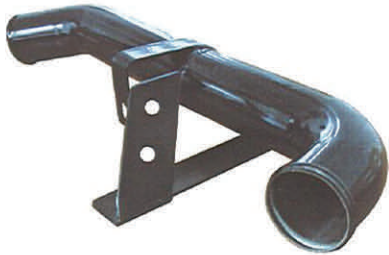
Size	Star #
3-1/2"	S9625
4"	S9626
5"	S9627



Ford & Sterling

Coolant tubes

TT# 550-0600
OEM# F1HZ8291A



Diamètre/Diameter: 2 1/2"
Quantité de manchon/
Quantity of coupling:
1 x 3/8" N.P.T.
+ 2 Bracket

Add **SS** for Stainless

Diamètre/Diameter: 2"
Quantité de manchon/
Quantity of coupling:
1 x 1/2" N.P.T.

Add **SS** for Stainless

TT# 550-0604
OEM# F3HZ8291L



TT# 550-0601
OEM# F4HZ8291K



Diamètre/Diameter: 2"
Quantité de manchon/
Quantity of coupling:
1 x 3/4" N.P.T.

Add **SS** for Stainless

Diamètre/Diameter:
2" - 2 1/4"
Quantité de manchon/
Quantity of coupling:
1 x 1/2" N.P.T.

Add **SS** for Stainless

TT# 550-0605
OEM# F3HZ8291B



TT# 550-0602
OEM# F6HZ8291D



Diamètre/Diameter: 2 1/2"
Quantité de manchon/
Quantity of coupling:
1 Tube 1"

Add **SS** for Stainless

Diamètre/Diameter:
2" + 1 Flange
Quantité de manchon/
Quantity of coupling: 0

Add **SS** for Stainless

TT# 550-0606
OEM# F6HZ8K528A



TT# 550-0603
OEM# F8IZ8291AC



Diamètre/Diameter: 2"
Quantité de manchon/
Quantity of coupling:
1 Tube 5/8"

Ajoute
Add **SS** for Stainless

Diamètre/Diameter:
Quantité de manchon/
Quantity of coupling:

TT# 550-0607
OEM# F6HZ8291G


Picture not available
Photo non disponible



Ford & Sterling

Coolant tubes

NEW TT# 550-0607
OEM# F6HZ8291G



Diamètre/Diameter: 2" - 2 1/2"
Quantité de manchon/
Quantity of coupling: 1 Tube 1"
Ajouter **SS** pour Acier Inoxydable
Add **SS** for Stainless

Diamètre/Diameter: 5/8" - 3/4"
Quantité de manchon/
Quantity of coupling: 0
+ 1 Bracket
Ajouter **SS** pour Acier Inoxydable
Add **SS** for Stainless

NEW TT# 550-0612
OEM# F1HZ18B402A



TT# 550-0609
OEM# F7HZ8290-MA


NEW



Diamètre/Diameter: 2 1/2"
Quantité de manchon/
Quantity of coupling: 0
Ajouter **SS** pour Acier Inoxydable
Add **SS** for Stainless

Diamètre/Diameter: 3/4" - 1"
Quantité de manchon/
Quantity of coupling: 0
Ajouter **SS** pour Acier Inoxydable
Add **SS** for Stainless

NEW TT# 550-0613



TT# 550-0610
OEM# F4HZ8290M

NEW



Diamètre/Diameter: 2" - 2 1/4"
Quantité de manchon/
Quantity of coupling: 0
+ 1 Tube 1/4"
Ajouter **SS** pour Acier Inoxydable
Add **SS** for Stainless

Diamètre/Diameter: 2 1/2"
Quantité de manchon/
Quantity of coupling: 0
Ajouter **SS** pour Acier Inoxydable
Add **SS** for Stainless

NEW TT# 550-0614
OEM# F8HZ8290CA



TT# 550-0611
OEM# F4HZ8291B

NEW



Diamètre/Diameter: 2"
Quantité de manchon/
Quantity of coupling: 0
+ 1 Tube 3/4"
Ajouter **SS** pour Acier Inoxydable
Add **SS** for Stainless

Diamètre/Diameter: 2 1/2"
Quantité de manchon/
Quantity of coupling: 0
Ajouter **SS** pour Acier Inoxydable
Add **SS** for Stainless

NEW TT# 550-0615
OEM# F4HZ8291A



TT# 550-0616
OEM# F6HT8291DB

NEW



Diamètre/Diameter: 2 1/2"
Quantité de manchon/
Quantity of coupling: 0
+ 1 Tube 1"
Ajouter **SS** pour Acier Inoxydable
Add **SS** for Stainless

TT# 550-0608
OEM# F7HZ821-HA



Diamètre/Diameter: 2 1/2"
Quantité de manchon/
Quantity of coupling: 0
Tube 1"
Add **SS** for Stainless



Freightliner

Coolant tubes



TT# 520-0701
OEM# A05-16525-000

Diamètre/Diameter: 2 1/2"
Quantité de manchon/
Quantity of coupling:
2 x 1/2" N.P.T.
1 x 3/4" N.P.T.

Add **SS** for Stainless

Diamètre/Diameter: 2 1/2"
Quantité de manchon/
Quantity of coupling:
1 x 1/8" N.P.T.

Add **SS** for Stainless



TT# 520-0705
OEM# A05-16892-000



TT# 520-0702
OEM# A05-15785-000

Diamètre/Diameter: 3"
Quantité de manchon/
Quantity of coupling:
3 x 1/2" N.P.T.

Diamètre/Diameter:
2 1/2" - 3"
Quantité de manchon/
Quantity of coupling:
2 x 1/2" N.P.T.
1 x 3/4" N.P.T.

Add **SS** for Stainless



TT# 520-0706
OEM# A05-16601-000



TT# 520-0703
OEM# A05-16524-000

Diamètre/Diameter: 2 1/2"
Quantité de manchon/
Quantity of coupling:
2 x 1/2" N.P.T.
1 x 3/4" N.P.T.

Add **SS** for Stainless

Diamètre/Diameter:
2 1/2" - 3"
Quantité de manchon/
Quantity of coupling:
2 x 1/2" N.P.T.
1 x 3/4" N.P.T.

Add **SS** for Stainless



TT# 520-0707
OEM# A05-15443-000



TT# 520-0704
OEM# A05-15415-000

Diamètre/Diameter:
2 1/2" - 3"
Quantité de manchon/
Quantity of coupling:
2 x 1/2" N.P.T.
1 x 3/4" N.P.T.

Add **SS** for Stainless

Diamètre/Diameter: 2 1/2"
Quantité de manchon/
Quantity of coupling:
1 x 1/8" N.P.T.

Add **SS** for Stainless



TT# 520-0708
OEM# A05-12855-000



Freightliner

Coolant tubes



Diamètre/Diameter:
2 1/2" - 3"
Quantité de manchon/
Quantity of coupling:
3 x 1/2" N.P.T.

Add **SS** for Stainless

Diamètre/Diameter: 2 1/2"
Quantité de manchon/
Quantity of coupling:
4 x 1/2" N.P.T.
1 x 3/4" N.P.T.

Add **SS** for Stainless



Diamètre/Diameter: 2 1/2"
Quantité de manchon/
Quantity of coupling:
1 x 1/8" N.P.T.
Ajouter **SS** pour Acier Inoxydable
Add **SS** for Stainless

Diamètre/Diameter: 2 1/2"
Quantité de manchon/
Quantity of coupling:
2 x 1/2" N.P.T.
1 x 3/4" N.P.T.

Add **SS** for Stainless



Diamètre/Diameter: 2 1/2"
Quantité de manchon/
Quantity of coupling:
4 x 1/2" N.P.T.
Ajouter **SS** pour Acier Inoxydable
Add **SS** for Stainless

Diamètre/Diameter:
2 1/2" - 2 1/4"
Quantité de manchon/
Quantity of coupling:
1 x 1/8" N.P.T.

Add **SS** for Stainless



Diamètre/Diameter: 2 1/2"
Quantité de manchon/
Quantity of coupling:
3 x 1/2" N.P.T.

Add **SS** for Stainless

Diamètre/Diameter:
2 1/2" - 3"
Quantité de manchon/
Quantity of coupling:
2 x 1/2" N.P.T.
1 x 3/4" N.P.T.

Add **SS** for Stainless





Freightliner

Coolant tubes



TT# 520-0717
OEM# A05-17108-000

Diamètre/Diameter: 2 1/2"
Quantité de manchon/
Quantity of coupling:
3 x 1/2" N.P.T.
Tube 1"

Add **SS** for Stainless



TT# 520-0721
OEM# A05-15184-000

Diamètre/Diameter: 3"
Quantité de manchon/
Quantity of coupling:
3 x 1/2" N.P.T.
1 x 3/4" N.P.T.



TT# 520-0718
OEM# A05-16383-000

Diamètre/Diameter:
2 1/2" - 3"
Quantité de manchon/
Quantity of coupling:
3 x 1/2" N.P.T.

Add **SS** for Stainless

Diamètre/Diameter: 2 1/2"
Quantité de manchon/
Quantity of coupling:
2 x 1/2" N.P.T.

Add **SS** for Stainless



TT# 520-0722
OEM# A05-17439-000



TT# 520-0719
OEM# A05-15383-000

Diamètre/Diameter: 3"
Quantité de manchon/
Quantity of coupling:
1 x 3/4" N.P.T.



TT# 520-0723
OEM# A05-15658-000

Diamètre/Diameter: 2 1/2"
Quantité de manchon/
Quantity of coupling:
3 x 1/2" N.P.T.

Add **SS** for Stainless



TT# 520-0720
OEM# A05-18695-000

Diamètre/Diameter: 2 1/2"
Quantité de manchon/
Quantity of coupling:
3 x 1/2" N.P.T.
Ajouter **SS** pour Acier Inoxydable
Add **SS** for Stainless



TT# 520-0724
OEM# A05-16129-000

Diamètre/Diameter: 2 1/2"
Quantité de manchon/
Quantity of coupling:
3 x 1/2" N.P.T.

Add **SS** for Stainless



Freightliner

Coolant tubes

TT# 520-0725
OEM# A05-15345-000



Diamètre/Diameter: 1"
Quantité de manchon/
Quantity of coupling: 0

Add **SS** for Stainless

Diamètre/Diameter:
2 1/2" - 3"
Quantité de manchon/
Quantity of coupling:
2 x 1/2" N.P.T.

Add **SS** for Stainless

TT# 520-0729
OEM# A05-16384-000



TT# 520-0726
OEM# A05-16657-000



Diamètre/Diameter: 2 1/2"
Quantité de manchon/
Quantity of coupling:
3 x 1/2" N.P.T.

Add **SS** for Stainless

Diamètre/Diameter:
2 1/2" - 3"
Quantité de manchon/
Quantity of coupling:
3 x 1/2" N.P.T.
Tube 1"

Add **SS** for Stainless

TT# 520-0730
OEM# A05-17890-000



TT# 520-0727
OEM# A05-16406-000



Diamètre/Diameter: 2 1/2"
Quantité de manchon/
Quantity of coupling:
1 x 1/8" N.P.T.

Add **SS** for Stainless

Diamètre/Diameter:
Quantité de manchon/
Quantity of coupling:

TT# 520-0731
OEM# A05-18793-000

Picture not available
Photo non disponible

TT# 520-0728
OEM# A05-15863-000

Picture not available
Photo non disponible

Diamètre/Diameter:
Quantité de manchon/
Quantity of coupling:

Diamètre/Diameter: 2 1/4"
Quantité de manchon/
Quantity of coupling:
1 x 1/2" N.P.T.
+ 1 Bracket

Add **SS** for Stainless

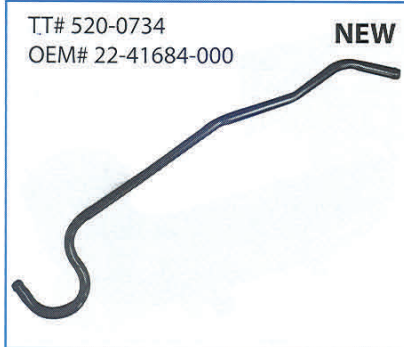
TT# 520-0732
OEM# A05-16419-000





Coolant tubes

Freightliner



TT# 520-0734
OEM# 22-41684-000

NEW

Diamètre/Diameter: 3/4"
Quantité de manchon/
Quantity of coupling: 0
Ajouter **SS** pour Acier Inoxydable
Add **SS** for Stainless



NEW

TT# 520-0739
OEM# A05-20193-000

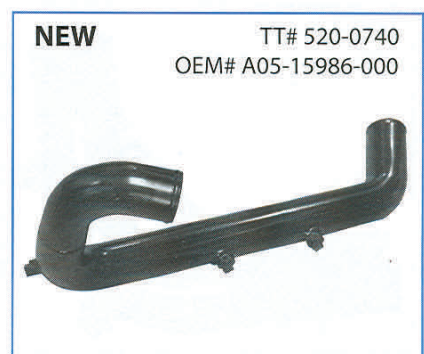
Diamètre/Diameter:
1" - N.P.T. 3/4"
Quantité de manchon/
Quantity of coupling: 0
+ 2 brackets
Ajouter **SS** pour Acier Inoxydable
Add **SS** for Stainless



TT# 520-0735
OEM# A05-17520-000

NEW

Diamètre/Diameter: 2 1/2"
Quantité de manchon/
Quantity of coupling:
4 x 1/2" N.P.T.
Ajouter **SS** pour Acier Inoxydable
Add **SS** for Stainless



NEW

TT# 520-0740
OEM# A05-15986-000

Diamètre/Diameter: 2 1/2"
Quantité de manchon/
Quantity of coupling:
3 x 1/2" N.P.T.
Ajouter **SS** pour Acier Inoxydable
Add **SS** for Stainless



TT# 520-0736
OEM# A05-15396-000

NEW

Diamètre/Diameter: 2 1/4" - 2 1/2"
Quantité de manchon/
Quantity of coupling:
3 x 1/2" N.P.T.
1 x 3/4" N.P.T.
Ajouter **SS** pour Acier Inoxydable
Add **SS** for Stainless



NEW

TT# 520-0741
OEM# A05-16654-000

Diamètre/Diameter: 2 1/2"
Quantité de manchon/
Quantity of coupling: 0
Ajouter **SS** pour Acier Inoxydable
Add **SS** for Stainless



TT# 520-0738
OEM# A05-20194-000

NEW

Diamètre/Diameter: 2"
Quantité de manchon/
Quantity of coupling:
1 x 3/4" N.P.T.
+ 1 Bracket
Ajouter **SS** pour Acier Inoxydable
Add **SS** for Stainless



NEW

TT# 520-0742
OEM# A05-15442-000

Diamètre/Diameter:
2 1/4" - 2 1/2"
Quantité de manchon/
Quantity of coupling: 0
Ajouter **SS** pour Acier Inoxydable
Add **SS** for Stainless



Freightliner

Coolant tubes



Diamètre/Diameter: 2 1/2"
Quantité de manchon/
Quantity of coupling:
3 x 1/2" N.P.T.
Ajouter **SS** pour Acier Inoxydable
Add **SS** for Stainless



Diamètre/Diameter: 2"
Quantité de manchon/
Quantity of coupling:
1 x 1/4" N.P.T.
Ajouter **SS** pour Acier Inoxydable
Add **SS** for Stainless

International

Coolant tubes



Diamètre/Diameter: 2 1/2"
Quantité de manchon/
Quantity of coupling: 0

Add **SS** for Stainless



Diamètre/Diameter:
Quantité de manchon/
Quantity of coupling:



Coolant tubes

Kenworth



TT# 530-0340
OEM# F66-1021

Diamètre/Diameter: 2 1/2"
Quantité de manchon/
Quantity of coupling:
1 x 3/8" N.P.T.
2 x 1/2" N.P.T.
1 x 3/4" N.P.T.

Add **SS** for Stainless



TT# 530-0346
OEM# K181-5141

Diamètre/Diameter:
3" + 1 Flange
Quantité de manchon/
Quantity of coupling:
2 x 1/2" N.P.T.



TT# 530-0341
OEM# K181-5483

Diamètre/Diameter: 3"
Quantité de manchon/
Quantity of coupling:
1 x 3/4" N.P.T.
1 x 1" N.P.T.

Diamètre/Diameter: 3"
Quantité de manchon/
Quantity of coupling:
1 x 1" N.P.T.



TT# 530-0347
OEM# K181-5597



TT# 530-0342
OEM# K181-5258

Diamètre/Diameter:
2 1/2" + 1 Flange
Quantité de manchon/
Quantity of coupling:
1 x 3/8" N.P.T.

Add **SS** for Stainless

Diamètre/Diameter:
2 1/2" - 3"
Quantité de manchon/
Quantity of coupling:
1 x 3/8" N.P.T.
2 x 1/2" N.P.T.
1 x 3/4" N.P.T.

Add **SS** for Stainless



TT# 530-0348
OEM# F66-1056



TT# 530-0343
OEM# F66-1066

Diamètre/Diameter: 2 1/2"
Quantité de manchon/
Quantity of coupling:
1 x 3/4" N.P.T.

Add **SS** for Stainless

Diamètre/Diameter: 2 1/2"
Quantité de manchon/
Quantity of coupling:
1 x 1/2" N.P.T.
1 x 3/8" N.P.T.

Add **SS** for Stainless



TT# 530-0349
OEM# F66-1018



Kenworth

Coolant tubes

TT# 530-0350
OEM# K181-5481



Diamètre/Diameter:
2 1/2" - 3"
Quantité de manchon/
Quantity of coupling:
1 x 1/2" N.P.T.
1 x 3/4" N.P.T.
1 x 1" N.P.T.

Add **SS** for Stainless

Diamètre/Diameter: 1 1/4" s/s
Quantité de manchon/
Quantity of coupling: 0

TT# 530-0354
OEM# K181-5007



TT# 530-0351
OEM# K181-4337-1



Diamètre/Diameter: 3"
Quantité de manchon/
Quantity of coupling:
2 x 3/4" N.P.T.

Diamètre/Diameter: 1" s/s
Quantité de manchon/
Quantity of coupling:
1 x 3/8" N.P.T.

TT# 530-0355
OEM# K181-4936



TT# 530-0352
OEM# F66-1029



Diamètre/Diameter: 2 1/2"
Quantité de manchon/
Quantity of coupling:
1 x 3/8" N.P.T.
1 x 1/2" N.P.T.
1 x 3/4" N.P.T.

Add **SS** for Stainless

Diamètre/Diameter: 1 1/4" s/s
Quantité de manchon/
Quantity of coupling:
1 x 3/8" N.P.T.

TT# 530-0356
OEM# K181-4937



TT# 530-0353
OEM# K181-5004



Diamètre/Diameter: 1 1/4" s/s
Quantité de manchon/
Quantity of coupling: 0

Diamètre/Diameter:
2 1/2" + Flange
Quantité de manchon/
Quantity of coupling:
1 x 3/4" N.P.T.

Add **SS** for Stainless

TT# 530-0357
OEM# K181-4884

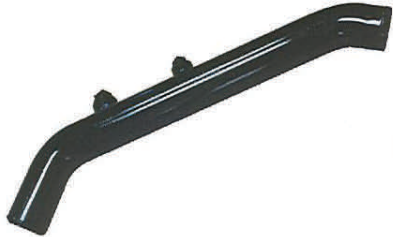




Coolant tubes

Kenworth

TT# 530-0358
OEM# K181-5614-2



Diamètre/Diameter: 2 1/2"
Quantité de manchon/
Quantity of coupling:
1 x 3/4" N.P.T.
1 x 1" N.P.T.

Add **SS** for Stainless

Diamètre/Diameter: 3"
Quantité de manchon/
Quantity of coupling:
1 x 3/4" N.P.T.
1 x 1" N.P.T.

TT# 530-0363
OEM# K181-5350



TT# 530-0359
OEM# K181-5276



Diamètre/Diameter: 2 1/2"
Quantité de manchon/
Quantity of coupling:
1 x 3/8" N.P.T.

Add **SS** for Stainless

Diamètre/Diameter: 2 1/2"
Quantité de manchon/
Quantity of coupling: 0

Add **SS** for Stainless

TT# 530-0364
OEM# K181-5550



TT# 530-0360
OEM# K181-5782



Diamètre/Diameter: 2 1/2"
Quantité de manchon/
Quantity of coupling: 0

Add **SS** for Stainless

Diamètre/Diameter: 2 1/2"
Quantité de manchon/
Quantity of coupling:
1 x 3/4" N.P.T.

Add **SS** for Stainless

TT# 530-0365
OEM# K181-5615



TT# 530-0362
OEM# K181-5742



Diamètre/Diameter:
2 1/2" - 3"
Quantité de manchon/
Quantity of coupling:
1 x 1" N.P.T.
1 x 3/8" N.P.T.

Add **SS** for Stainless

Diamètre/Diameter:
2 1/2" - 3"
Quantité de manchon/
Quantity of coupling:
1 x 3/4" N.P.T.
1 x 1" N.P.T.

Add **SS** for Stainless

TT# 530-0366
OEM# K181-5870





Kenworth

Coolant tubes

TT#530-0367
OEM# K181-5598



Diamètre/Diameter: 2 1/2"
Quantité de manchon/
Quantity of coupling: 0

Add **SS** for Stainless

Diamètre/Diameter:
2 1/4" - 3"
Quantité de manchon/
Quantity of coupling:
1 x 3/8" N.P.T.
1 x 1" N.P.T.

Add **SS** for Stainless

TT# 530-0371
OEM# K181-5618



TT# 530-0368
OEM# F66-1042



Diamètre/Diameter: 2 1/2"
Quantité de manchon/
Quantity of coupling: 0

Add **SS** for Stainless

Diamètre/Diameter:
2 1/4" - 2 1/2"
Quantité de manchon/
Quantity of coupling:
1 Tube 1/2"

Add **SS** for Stainless

TT# 530-0372
OEM# K123-309



TT# 530-0369
OEM# K181-5482



Diamètre/Diameter:
2 1/2" - 3"
Quantité de manchon/
Quantity of coupling:
1 x 3/4" N.P.T.
1 x 1" N.P.T.

Add **SS** for Stainless

Diamètre/Diameter:
2 1/2" - 3"
Quantité de manchon/
Quantity of coupling:
1 x 3/4" N.P.T.

Add **SS** for Stainless

TT# 530-0373
OEM# K181-4279-1



TT# 530-0370
OEM# K181-5546



Diamètre/Diameter:
2 1/2" - 3"
Quantité de manchon/
Quantity of coupling:
1 x 3/4" N.P.T.
1 x 1" N.P.T.

Add **SS** for Stainless

Diamètre/Diameter: 2 1/2"
Quantité de manchon/
Quantity of coupling: 0

Add **SS** for Stainless

TT# 530-0374
OEM# F66-1048





Coolant tubes

Kenworth

TT#530-0367
OEM# K181-5598



Diamètre/Diameter: 2 1/2"
Quantité de manchon/
Quantity of coupling: 0

Add **SS** for Stainless

Diamètre/Diameter:
2 1/4" - 3"
Quantité de manchon/
Quantity of coupling:
1 x 3/8" N.P.T.
1 x 1" N.P.T.

Add **SS** for Stainless

TT# 530-0371
OEM# K181-5618



TT# 530-0368
OEM# F66-1042



Diamètre/Diameter: 2 1/2"
Quantité de manchon/
Quantity of coupling: 0

Add **SS** for Stainless

Diamètre/Diameter:
2 1/4" - 2 1/2"
Quantité de manchon/
Quantity of coupling:
1 Tube 1/2"

Add **SS** for Stainless

TT# 530-0372
OEM# K123-309



TT# 530-0369
OEM# K181-5482



Diamètre/Diameter:
2 1/2" - 3"
Quantité de manchon/
Quantity of coupling:
1 x 3/4" N.P.T.
1 x 1" N.P.T.

Add **SS** for Stainless

Diamètre/Diameter:
2 1/2" - 3"
Quantité de manchon/
Quantity of coupling:
1 x 3/4" N.P.T.

Add **SS** for Stainless

TT# 530-0373
OEM# K181-4279-1



TT# 530-0370
OEM# K181-5546



Diamètre/Diameter:
2 1/2" - 3"
Quantité de manchon/
Quantity of coupling:
1 x 3/4" N.P.T.
1 x 1" N.P.T.

Add **SS** for Stainless

Diamètre/Diameter: 2 1/2"
Quantité de manchon/
Quantity of coupling: 0

Add **SS** for Stainless

TT# 530-0374
OEM# F66-1048





Kenworth

Coolant tubes



Diamètre/Diameter:
2 1/2" - 3"
Quantité de manchon/
Quantity of coupling:
2 x 3/4" N.P.T.
1 x 3/8" N.P.T.

Add **SS** for Stainless

Diamètre/Diameter: 2 1/2"
Quantité de manchon/
Quantity of coupling: 0

Add **SS** for Stainless



Diamètre/Diameter:
Quantité de manchon/
Quantity of coupling:



Diamètre/Diameter: 2 1/2"
Quantité de manchon/
Quantity of coupling: 0

Add **SS** for Stainless



Diamètre/Diameter:
2 1/2" - 3"
Quantité de manchon/
Quantity of coupling:
3 x 3/4" N.P.T.

Add **SS** for Stainless



Kenworth

Coolant tubes



NEW

TT# 530-0383
OEM# F66-1088

Diamètre/Diameter: 2" - 2 1/2"
Quantité de manchon/
Quantity of coupling:
1 Tube 5/8"
1 Tube 1"
Ajouter **SS** pour Acier Inoxydable
Add **SS** for Stainless

Diamètre/Diameter: 2 1/2"
Quantité de manchon/
Quantity of coupling:
1 x 3/4" N.P.T.
1 x 1/2" N.P.T.
Ajouter **SS** pour Acier Inoxydable
Add **SS** for Stainless



NEW

TT#530-0387
OEM# F66-1132



NEW

TT# 530-0384
OEM# F66-1123

Diamètre/Diameter: 2" - 2 1/2"
Quantité de manchon/
Quantity of coupling:
1 Tube 5/8"
Ajouter **SS** pour Acier Inoxydable
Add **SS** for Stainless

Diamètre/Diameter: 2 1/2"
Quantité de manchon/
Quantity of coupling: 0
Ajouter **SS** pour Acier Inoxydable
Add **SS** for Stainless



NEW

TT#530-0388
OEM# K181-5892



NEW

TT# 530-0385
OEM# F66-1290

Diamètre/Diameter: 2 1/2" - 3"
Quantité de manchon/
Quantity of coupling:
2 x 1/2" N.P.T.
1 x 3/4" N.P.T.
1 x 3/8" N.P.T.
Ajouter **SS** pour Acier Inoxydable
Add **SS** for Stainless

Diamètre/Diameter: 2 1/2"
Quantité de manchon/
Quantity of coupling:
2 x 3/4" N.P.T.
Ajouter **SS** pour Acier Inoxydable
Add **SS** for Stainless



NEW

TT#530-0389
OEM# F66-1130



NEW

TT# 530-0386
OEM# K181-5453

Diamètre/Diameter: 2 1/2" - 3"
Quantité de manchon/
Quantity of coupling:
1 x 3/8" N.P.T.
1 x 3/4" N.P.T.
Ajouter **SS** pour Acier Inoxydable
Add **SS** for Stainless

Diamètre/Diameter:
2 1/2" - 3"
Quantité de manchon/
Quantity of coupling:
1 x 3/8" N.P.T.
Ajouter **SS** pour Acier Inoxydable
Add **SS** for Stainless



NEW

TT#530-0390
OEM# K181-5352



Kenworth

Coolant tubes



Diamètre/Diameter:
2" - 2 1/4"
Quantité de manchon/
Quantity of coupling: 0
Ajouter **SS** pour Acier Inoxydable
Add **SS** for Stainless



Diamètre/Diameter:
2" - 2 1/2"
Quantité de manchon/
Quantity of coupling: 0
Ajouter **SS** pour Acier Inoxydable
Add **SS** for Stainless



Diamètre/Diameter:
2 1/4" - 2 1/2"
Quantité de manchon/
Quantity of coupling: 0
Ajouter **SS** pour Acier Inoxydable
Add **SS** for Stainless



Diamètre/Diameter:
2 1/2" - 3"
Quantité de manchon/
Quantity of coupling:
1 x 3/8" N.P.T.
1 x 1/2" N.P.T.
Ajouter **SS** pour Acier Inoxydable
Add **SS** for Stainless

Mack

Coolant tubes



Diamètre/Diameter:
2"
Quantité de manchon/
Quantity of coupling:
1 x 3/8" N.P.T.
+ 1 Braket
Add **SS** for Stainless



Peterbilt

Coolant tubes



TT# 540-0214
OEM# 07-06858

Diamètre/Diameter:
2 1/2" - 3"
Quantité de manchon/
Quantity of coupling:
1 x 3/8" N.P.T.
+ 1 Bracket

Add **SS** for Stainless

Diamètre/Diameter:
2 1/2" - 3"
Quantité de manchon/
Quantity of coupling:
1 x 3/8" N.P.T.
+ 1 Bracket

Add **SS** for Stainless



TT# 540-0218
OEM# 07-06468



TT# 540-0215
OEM# 07-06462

Diamètre/Diameter: 3"
Quantité de manchon/
Quantity of coupling:
1 x 3/8" N.P.T.
+ 1 Bracket

Diamètre/Diameter:
2 1/2" - 3"
Quantité de manchon/
Quantity of coupling: 0
+ 1 Bracket

Add **SS** for Stainless



TT# 540-0219
OEM# 07-06241



TT# 540-0216
OEM# 07-06464

Diamètre/Diameter:
2 1/2" - 3"
Quantité de manchon/
Quantity of coupling:
1 x 3/8" N.P.T.
+ 1 Bracket

Add **SS** for Stainless

Diamètre/Diameter:
2 1/2" - 3"
Quantité de manchon/
Quantity of coupling:
1 x 3/8" N.P.T.
+ 1 Bracket

Add **SS** for Stainless



TT# 540-0220
OEM# 07-06463



TT# 540-0217
OEM# 07-06664

Diamètre/Diameter:
2" - 2 1/4"
Quantité de manchon/
Quantity of coupling:
1 x 3/8" N.P.T.
+ 1 Bracket

Add **SS** for Stainless

Diamètre/Diameter: 2 1/2"
Quantité de manchon/
Quantity of coupling: 0

Add **SS** for Stainless



TT# 540-0221
OEM# 07-06508



Peterbilt

Coolant tubes



Diamètre/Diameter:
2 1/2" - 3
Quantité de manchon/
Quantity of coupling: 0
+ 1 Bracket
Ajouter **SS** pour
Acier Inoxydable
Add **SS** for Stainless

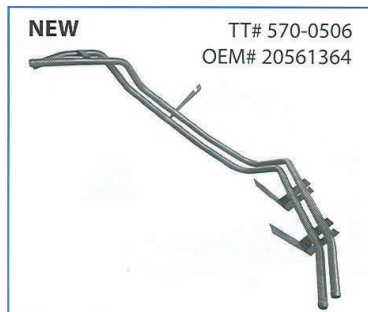
Volvo

Coolant tubes



Diamètre/Diameter: 7/8"
Quantité de manchon/
Quantity of coupling: 0
+ 2 supports
+ 2 tubes 5/8"
Ajouter **SS** pour Acier Inoxydable
Add **SS** for Stainless

Volvo Front end Air inlet tube



Diamètre/Diameter: 7/8" s/s
Quantité de manchon/
Quantity of coupling: 0
+ 3 Bracket



Coolant tubes

Volvo



TT# 570-0501
OEM# 20353862

Diamètre/Diameter: 2"
Quantité de manchon/
Quantity of coupling: 0
+ 1 Bracket

Add **SS** for Stainless



TT# 570-0503
OEM# 20353859

Diamètre/Diameter: 2"
Quantité de manchon/
Quantity of coupling: 0

Add **SS** for Stainless



TT# 570-0502
OEM# 20535512

Diamètre/Diameter: 2"
Quantité de manchon/
Quantity of coupling: 0

Add **SS** for Stainless



TT# 570-0504
OEM# 20462648

Diamètre/Diameter: 7/8"
Quantité de manchon/
Quantity of coupling: 0

Add **SS** for Stainless

Coolant tubes

Western Star



TT# 580-0508
OEM# 20406-3417

Diamètre/Diameter: 2 1/2"
Quantité de manchon/
Quantity of coupling: 0
Ajouter **SS** pour Acier Inoxydable
Add **SS** for Stainless



TT# 580-0509
OEM# 20406-3519

Diamètre/Diameter:
2 1/2" + 1 Flange
Quantité de manchon/
Quantity of coupling:
1 x 1/2" N.P.T.

Add **SS** for Stainless



Star Exhaust Systems

Western Star

Coolant tubes

TT# 580-0500
OEM# 20406-3556



Diamètre/Diameter:
2 1/2" + 1 Flange
Quantité de manchon/
Quantity of coupling:
1 x 1/2" N.P.T.

Add **SS** for Stainless

Diamètre/Diameter: 3"
Quantité de manchon/
Quantity of coupling: 0

TT# 580-0504
OEM# 20402-3406



TT# 580-0501
OEM# 20406-3517



Diamètre/Diameter:
2 1/2" + 1 Flange
Quantité de manchon/
Quantity of coupling:
1 x 1/2" N.P.T.

Add **SS** for Stainless

Diamètre/Diameter:
2 1/2" + 1 Flange
Quantité de manchon/
Quantity of coupling:
1 x 1/2" N.P.T.

Add **SS** for Stainless

TT# 580-0505
OEM# 20404-3502
20403-3555



TT# 580-0502
OEM# 20406-3520



Diamètre/Diameter:
2 1/2" + 1 Flange
Quantité de manchon/
Quantity of coupling:
1 x 1/2" N.P.T.
1 x 3/4" N.P.T.

Add **SS** for Stainless

Diamètre/Diameter:
3" + 1 Flange
Quantité de manchon/
Quantity of coupling:
1 x 1/2" N.P.T.

TT# 580-0506
OEM# 20406-3481



TT# 580-0503
OEM# 20406-3501



Diamètre/Diameter:
3" + 1 Flange
Quantité de manchon/
Quantity of coupling:
1 x 1/2" N.P.T.

Diamètre/Diameter:
3" + 1 Flange
Quantité de manchon/
Quantity of coupling:
1 x 1/2" N.P.T.

TT# 580-0507
OEM# 20406-3487





Coolant tubes

Western Star

NEW TT# 580-0510
OEM# 20402-3476



Diamètre/Diameter: 2 1/2"
Quantité de manchon/
Quantity of coupling:
1 x 1/2" N.P.T.
+ 1 Bracket
Ajouter **SS** pour Acier Inoxydable
Add **SS** for Stainless

NEW TT# 580-0511
OEM# XC458291DB



Diamètre/Diameter:
2" - 2 1/2"
Quantité de manchon/
Quantity of coupling:
1 x 3/4" N.P.T.
1 Tube 1"
Ajouter **SS** pour Acier Inoxydable
Add **SS** for Stainless



Star Exhaust Systems

Warranty

Star Exhaust Systems Inc. warrants its exhaust products against manufacturing defects in workmanship and materials. This warranty will cover a period of 180 days from the date of sale.

The original bill of sale and/or work order must accompany warranty claims with mileage for the original installation date. Products claiming warranty shall be returned for inspection.

Star Exhaust Systems Inc. or its representatives will make the final decision on the subject product, and at our option only replace the subject product free of charge, and cover transportation to and from Star Exhaust Systems for warranty product.

Star Exhaust Systems Inc. does not warranty against improper installation or physical damage.

Star Exhaust Systems Inc. does not warranty against rust, excessive heat, backfire damage and modification.

Star Exhaust Systems Inc. is limited in all cases of warranty to the original purchase price or replacement of defective product, and does not extend to negligence, or for consequential, collateral or extraordinary losses or damages.

Contact Star Exhaust Systems Customer Services at 1-877-322-2600 for a Return Goods Authorization number.

Star Exhaust Systems Inc.

1325 Shawson Drive
Mississauga, Ont. L4W 1C4

1-877-322-2600

905-564-6795

fax: 905-564-1620